

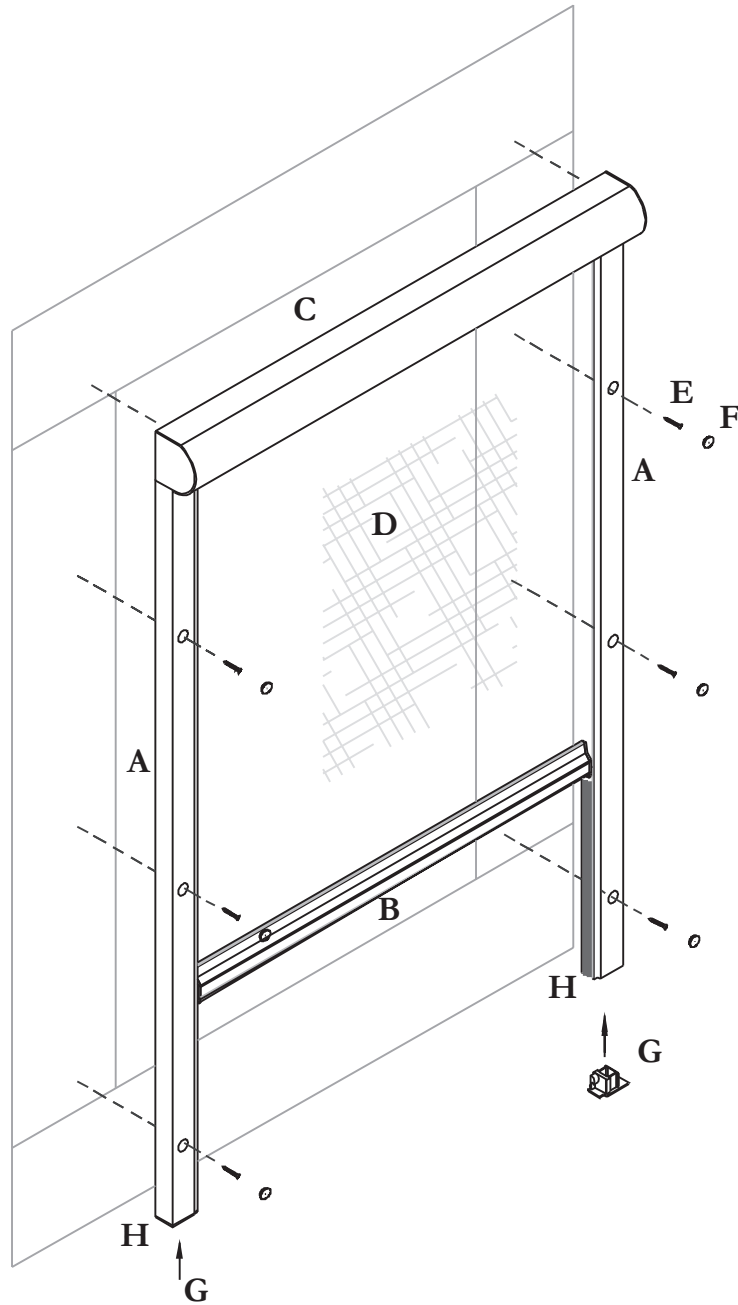
Serene Design Specifications

(External Assembled View)

For Illustration Purposes Only - Not Drawn to Scale

Parts Spec

- A** Aluminum Track
Standard Version - 23mm(d) x 35mm(w)
Short Version - 23mm(d) x 23mm(w)
- B** Aluminum Slide Bar
18mm(d) x 36mm(h)
- C** Aluminum Housing Assembly
53mm(d) x 58mm(h)
- D** PVC Coated Fiberglass Mesh
- E** #6 x 20mm (#5 Head) Flathead Screw
- F** Track Screw Hole Cover
- G** Track Latch
- H** Mesh Retention Pile - Inside
Full Track Length (Both Sides)



— PHANTOM —
Serene[™]
Retractable Screens[™]

© 2006 Phantom Screens
Drawing #: PSRNDDESIGNSPEC01revised
Mar 20/06 (By N.D.R.)