

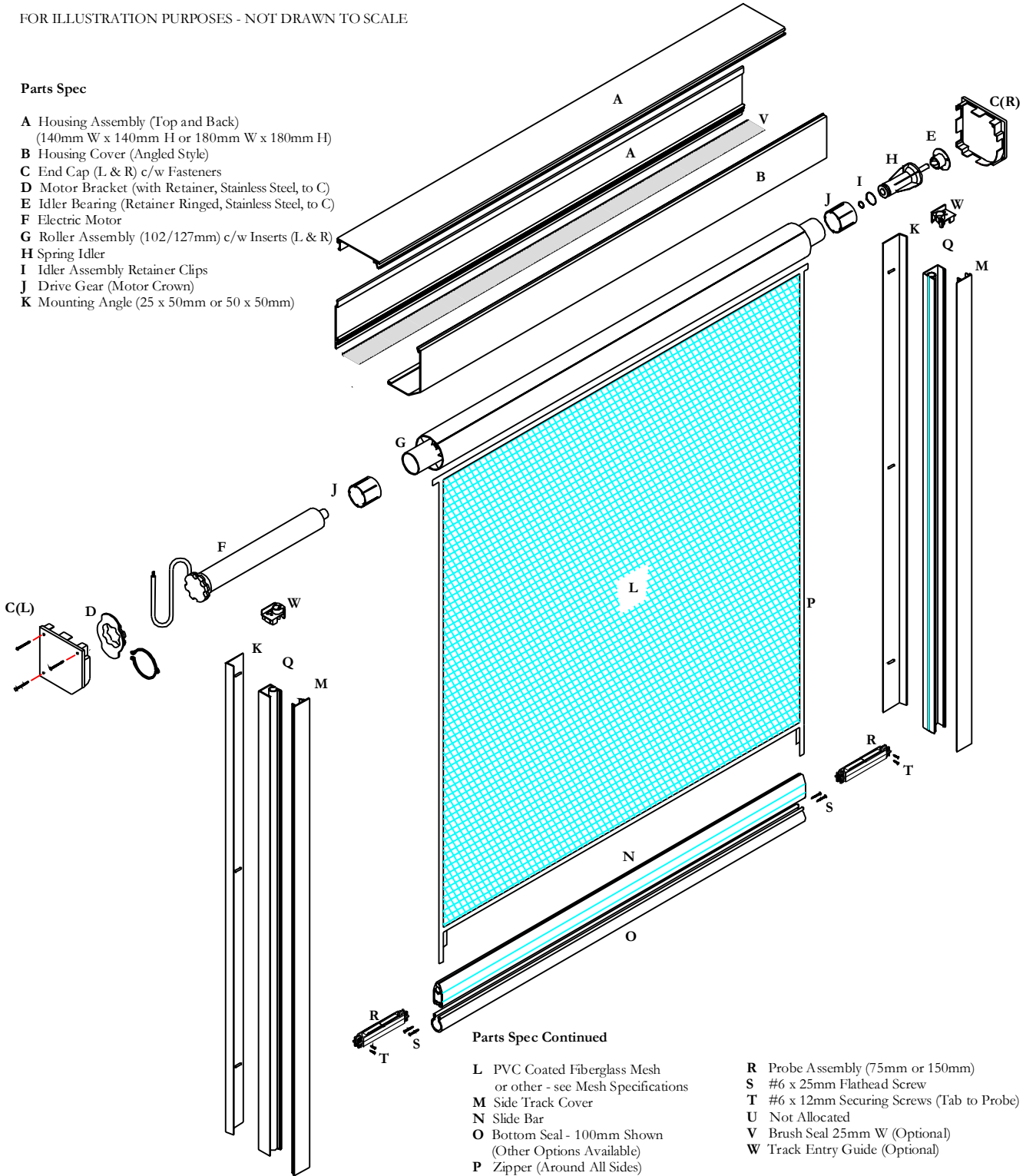
# EXECUTIVE DESIGN SPECIFICATIONS - SYSTEM WITH STANDARD SIDE TRACK (V2A)

## SOMFY LT50 (Exploded View)

FOR ILLUSTRATION PURPOSES - NOT DRAWN TO SCALE

### Parts Spec

- A Housing Assembly (Top and Back)  
(140mm W x 140mm H or 180mm W x 180mm H)
- B Housing Cover (Angled Style)
- C End Cap (L & R) c/w Fasteners
- D Motor Bracket (with Retainer, Stainless Steel, to C)
- E Idler Bearing (Retainer Ringed, Stainless Steel, to C)
- F Electric Motor
- G Roller Assembly (102/127mm) c/w Inserts (L & R)
- H Spring Idler
- I Idler Assembly Retainer Clips
- J Drive Gear (Motor Crown)
- K Mounting Angle (25 x 50mm or 50 x 50mm)



### Parts Spec Continued

- L PVC Coated Fiberglass Mesh  
or other - see Mesh Specifications
- M Side Track Cover
- N Slide Bar
- O Bottom Seal - 100mm Shown  
(Other Options Available)
- P Zipper (Around All Sides)
- Q Standard Side Track (V2A)
- R Probe Assembly (75mm or 150mm)
- S #6 x 25mm Flathead Screw
- T #6 x 12mm Securing Screws (Tab to Probe)
- U Not Allocated
- V Brush Seal 25mm W (Optional)
- W Track Entry Guide (Optional)

PHANTOM  
*Executive*<sup>™</sup>  
Retractable Screens<sup>™</sup>

Creator:	Date:	Revision:
NDR	06/15/2009	Rev:
Drawing Title:		
<b>PSEXECPRODDESIGNSPEC-SOMFY06(B)</b>		
© 2010 Phantom Screens Australia		Scale:
		NTS