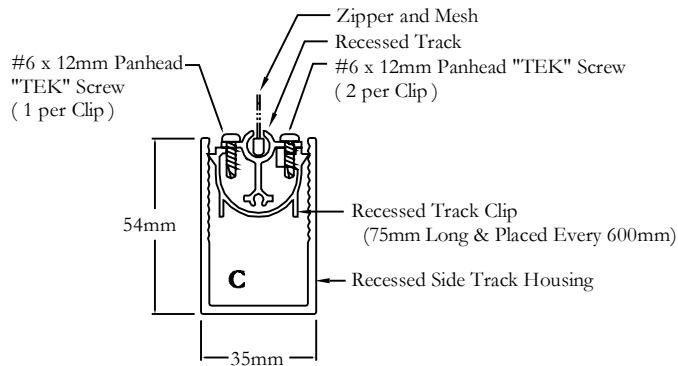
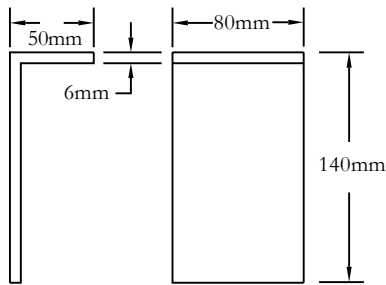


# Executive Design Specifications- System With Recessed Side Track SIMU T5Hz02(External Assembled View)

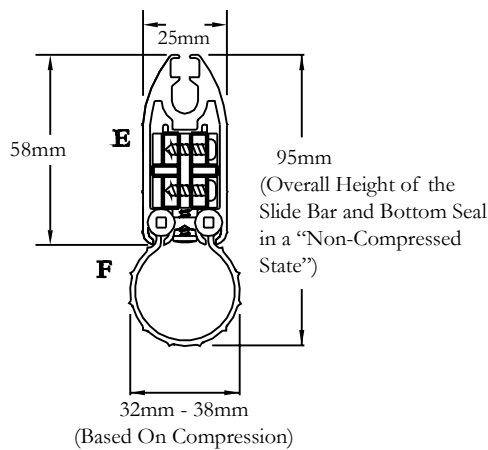
FOR ILLUSTRATION PURPOSES ONLY - ONLY CROSS SECTIONS DRAWN TO SCALE



**CROSS SECTIONAL VIEW  
OF THE FULLY ASSEMBLED  
RECESSED SIDE TRACK (V3)**  
(Scale: 1:1)



**ROLLER MOUNTING ANGLE  
FOR 102mm and 127mm ROLLERS**  
(Not Drawn To Scale)



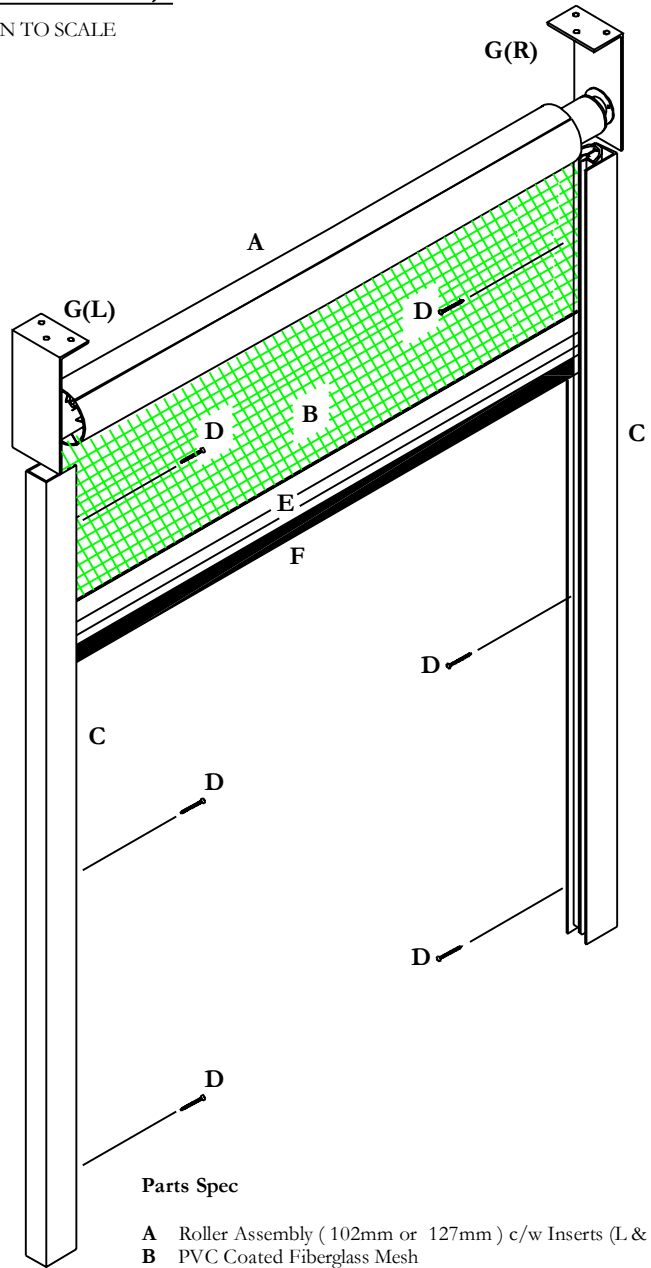
**CROSS SECTIONAL VIEW  
OF THE SLIDE BAR AND  
100mm BOTTOM SEAL**

(Scale: 1:1)

PHANTOM

*Executive*<sup>™</sup>

Retractable Screens<sup>™</sup>



**Parts Spec**

- A Roller Assembly ( 102mm or 127mm ) c/w Inserts (L & R)
- B PVC Coated Fiberglass Mesh  
or other - see Mesh Specifications
- C Recessed Side Track Assembly (35mmW x 54mmD)
- D #8 or #10 Corrosion Resistant Fastener  
Type and length of screws may  
vary depending on type of mounting surface  
(Minimum of 3 per Side Track and Roller Mounting Angle)
- E Slide Bar c/w Probe Assembly
- F Bottom Seal - 100mm Shown (Other options available)
- G Roller Mounting Bracket ( 50mm x 140mm x 6mm x 80mmW )

Creator: NDR	Date: 04/09/2010	Revision: Rev:
Drawing Title: <b>PSEXECPRODDESIGNSPEC07(A)</b>		
© 2010 Phantom Screens Australia		Scale: As Shown