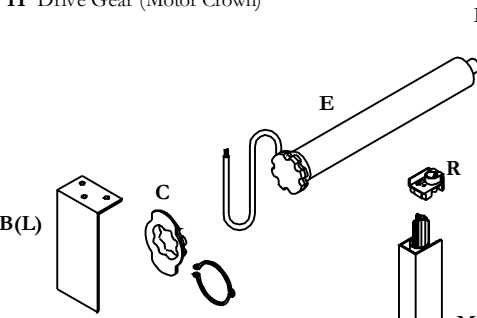


EXECUTIVE DESIGN SPECIFICATIONS - SYSTEM WITH RECESSED SIDE TRACK (V3A) SIMU T5Hz02(Exploded View)

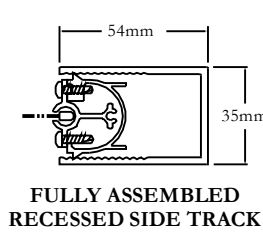
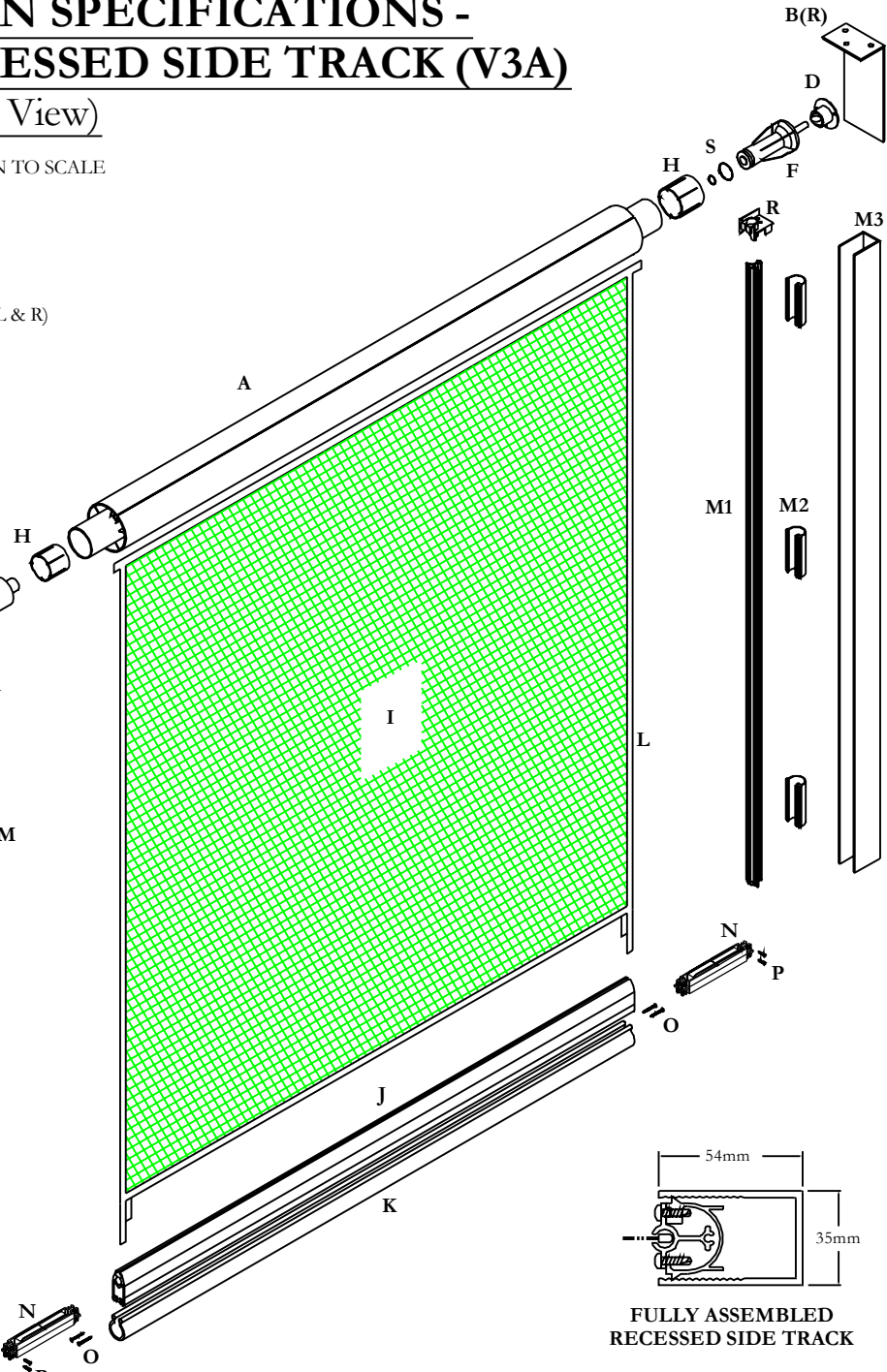
FOR ILLUSTRATION PURPOSES - NOT DRAWN TO SCALE

Parts Spec

- A Roller Assembly (102mm / 127mm) c/w Inserts (L & R)
- B Roller Mounting Bracket (L & R)
(50mm x 140mm x 6mm x 80mm Wide)
- C Motor Bracket (with Retainer, Stainless Steel)
Riveted to Roller Mounting Bracket
- D Idler Bearing (Riveted to Roller Mounting Angle)
- E Electric Motor
- F Spring Idler
- G Not Allocated
- H Drive Gear (Motor Crown)



- I PVC Coated Fiberglass Mesh or other - see Mesh Specifications
- J Slide Bar
- K Bottom Seal - 100mm Shown
(Other options available)
- L Zipper (Around All Sides)
- M Recessed Side Track Assembly
Components: M1 - Recessed Track
M2 - Recessed Track Clip
M3 - Recessed U-Channel
- N Probe Assembly (75mm or 150mm)
- O #6 x 25mm Flathead Screw
- P #6 x 12mm Panhead Securing Screws (Tab to Probe)
- Q Not Allocated
- R Track Entry Guide (Optional)
- S Idler Assembly Retainer Clips



For ease of adjustment, the placement of the Track Clip should be such that the leg, indicated, is situated on the front side of the Recessed Side Track Housing.

RECESSED SIDE TRACK INSTALLATION NOTE

#6 x 12mm PANHEAD "TEK" SCREW (3 per TRACK CLIP)	RECESSED SIDE TRACK	RECESSED TRACK CLIP	RECESSED SIDE TRACK HOUSING (U - CHANNEL)

EXPLODED VIEW OF RECESSED SIDE TRACK (V3A) ASSEMBLY

RECESSED TRACK CLIP IS 75mm LONG AND PLACED EVERY 600mm

Creator: NDR	Date: 04/09/2010	Revision: Rev:
Drawing Title: PSEXECPRODDESIGNSPEC07(B)		
© 2010 Phantom Screens Australia		Scale: NTS