

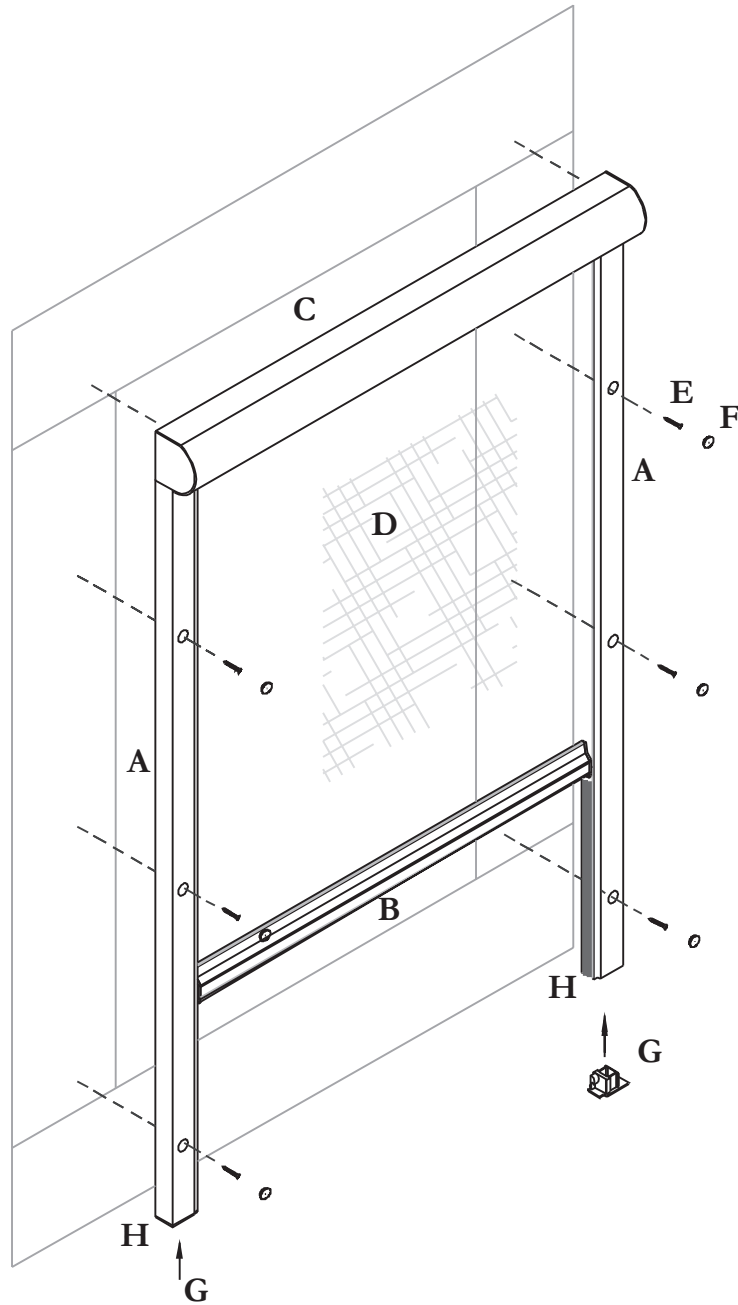
# Serene Design Specifications

( External Assembled View )

For Illustration Purposes Only - Not Drawn to Scale

## Parts Spec

- A** Aluminum Track  
Standard Version - 23mm(d) x 35mm(w)  
Short Version - 23mm(d) x 23mm(w)
- B** Aluminum Slide Bar  
18mm(d) x 36mm(h)
- C** Aluminum Housing Assembly  
53mm(d) x 58mm(h)
- D** PVC Coated Fiberglass Mesh
- E** #6 x 20mm (#5 Head) Flathead Screw
- F** Track Screw Hole Cover
- G** Track Latch
- H** Mesh Retention Pile - Inside  
Full Track Length (Both Sides)



— PHANTOM —  
*Serene*<sup>™</sup>  
Retractable Screens<sup>™</sup>

© 2006 Phantom Screens  
Drawing #: PSRNDDESIGNSPEC01revised  
Mar 20/06 (By N.D.R.)