

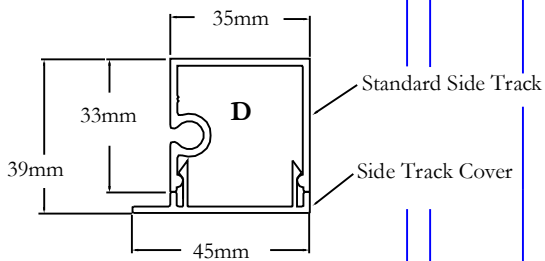
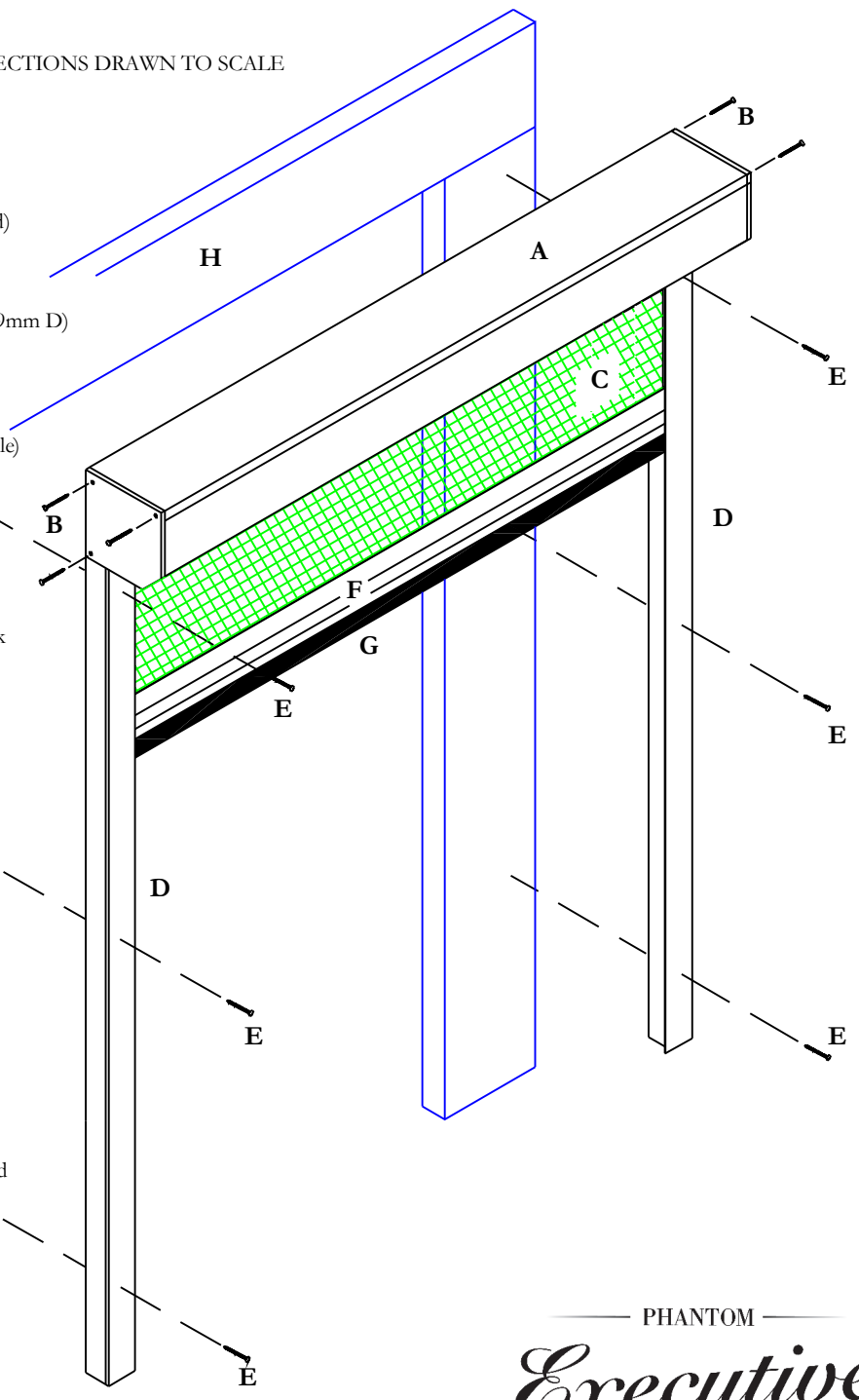
Executive Design Specifications- System With Standard Side Track (V2A)

(External Assembled View)

FOR ILLUSTRATION PURPOSES - ONLY CROSS SECTIONS DRAWN TO SCALE

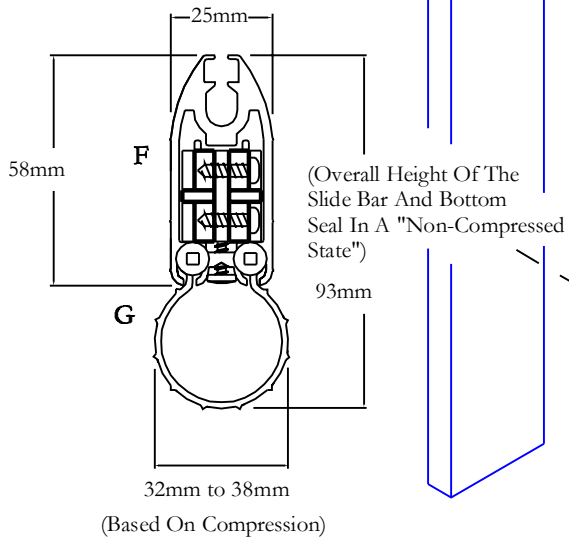
Parts Spec

- A Housing Assembly:
(140mm W x 140mm H or 180mm W x 180mm H)
- B #8 x 1" Corrosion Resistant Fastener (Color Matched)
3 Fasteners per End Cap
- C PVC Coated Fiberglass Mesh
or other - see Mesh Specifications
- D Standard Side Track (V2A) c/w Cover (45mm W x 39mm D)
- E #8 or #10 Corrosion Resistant Fastener
Type and length of screws may
vary depending on type of mounting surface
- F Slide Bar c/w Probe Assembly
- G Bottom Seal - 100mm Shown (Other Options Available)
- H Mounting Surface



**CROSS SECTIONAL VIEW
OF THE
STANDARD SIDE TRACK (V2A)**

Scale: 1 : 1



**CROSS SECTIONAL VIEW
OF THE SLIDE BAR AND
4" BOTTOM SEAL**

Scale: 1 : 1

PHANTOM
Executive[™]
Retractable Screens[™]

Creator: NDR	Date: 06/12/2009	Revision: Rev:
Drawing Title: PSEXECPRODDESIGNSPEC06(A)		
© 2010 Phantom Screens Australia		Scale: As Shown